



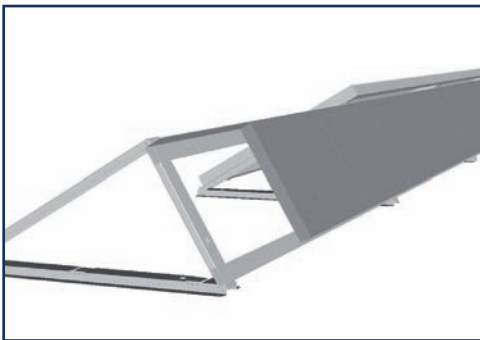
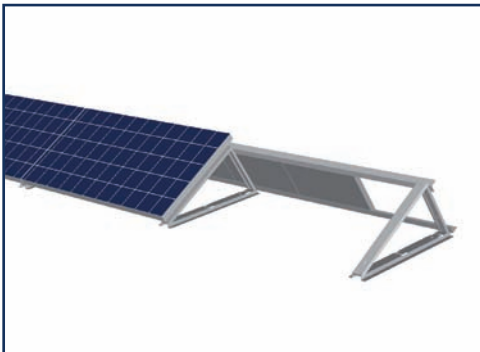
Patent pending



The FlatFix Mounting Structure for PV Systems

The FlatFix Solar support for flat roof solar systems is carefully designed to make installation easy. FlatFix is a product for flat or slightly tilted roofs and areas. FlatFix can either be secured using screws or by ballasting. To secure a rooftop array with ballast, standard aluminium profiles can be clicked into the specially formed recess. The ballasted array can withstand high wind loads with tilt up to 30° and be as secure as one held down by screws. Through its unique design and way of ballasting FlatFix can do with as less as 23kg ballast per m².

Each FlatFix frame is manufactured from aluminium and stainless steel components, and will support the system as long as the solar modules last. The simple and well thought through FlatFix support system can be used for a wide range of different solar modules without any kind of adjustments to the stand.



FlatFix benefits

- Fast and easy installation and handling
- Foldable and therefore small transport volume
- One type fits all solar panel sizes
- Can be secured through screws or ballast
- Low ballast trough unique design
- Non roof-penetrating
- Standard 30° angle for optimal yield of the system
- Manufactured from aluminium and stainless steel
- Roof protection through EPDM rubber
- 20 years product warranty

Material	Aluminium
Tilt angle	30° (other angles optional)
A	750mm
Weight	1,4kg
Package	870x130x30mm (250 pieces on one pallet)

